

LEGEND

- ELECTRICAL SERVICES SWITCHBOARD.
- SWITCHBOARD / CONTROL PANEL NOT PROVIDED AS PART OF THE ELECTRICAL SUBCONTRACT.
- SINGLE POWER OUTLET.
- DOUBLE POWER OUTLET.
- DOUBLE POWER OUTLET C/W INTEGRAL USB-A AND USB-C CHARGING POINTS, MOUNTED ABOVE BENCH.
- SPECIAL PURPOSE POWER OUTLET.
- SIGNAGE CONNECTION.
- SINGLE PHASE ISOLATOR.
- THREE PHASE ISOLATOR.
- CONDUIT ROUTE.
- ELECTRICAL SERVICES PIT, TYPE AS NOTED.
- HAND DRYER CONNECTION.
- ONE-WAY LIGHT SWITCH.
- TWO-WAY LIGHT SWITCH.
- LIGHTING PRESENCE DETECTOR.
- DALI LIGHTING CONTROL SWITCH PANEL.
- CIRCUIT LINE.
- SWITCH LINE.
- POWER CIRCUIT DESIGNATION. DENOTES DB AND CIRCUIT.
- DALI LIGHTING CONTROL CHANNEL REFERENCE.
- ELECTRICAL EQUIPMENT AS NOTED.
- RJ45 COMMUNICATIONS OUTLET.
- FIRE INDICATOR PANEL.
- FUSE.
- SINGLE PHASE.
- THREE PHASE.
- CURRENT TRANSFORMER C/W REMOVABLE LINK.
- FUSE LINK.
- COMBINED FUSE SWITCH.
- CIRCUIT BREAKER.
- ISOLATOR.
- RESIDUAL CURRENT DEVICE.
- CONTACTOR - NORMALLY OPEN.
- CONTACTOR - NORMALLY CLOSED.
- NEM COMPLIANT RETAIL METER.
- LOGGING MULTI-FUNCTION METER.
- MANUAL TRANSFER SWITCH.
- REFER TO DETAIL NOTED FOR THE AREA SHOWN HATCHED. ADDITIONAL OUTLETS & FITTINGS MAY BE SHOWN ON DETAIL.

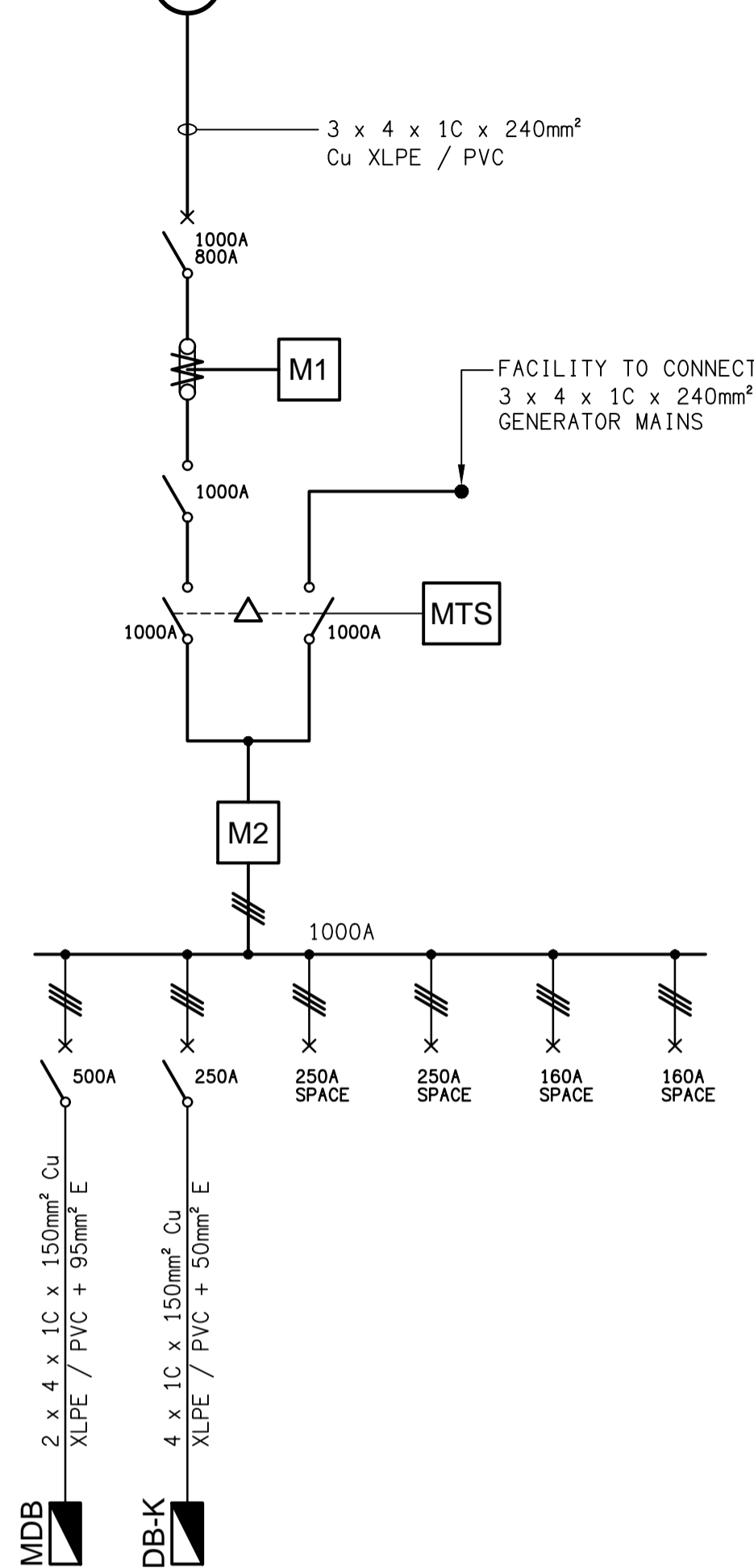
LEGEND

- E1: GENERAL LED EMERGENCY LIGHT.
- EX: EMERGENCY LED EXIT LIGHT.
- Lx: LIGHT FITTING C/W NON-MAINTAINED EMERGENCY BATTERY PACK. TYPE AS NOTED.
- L1: STRIP LIGHT MOUNTED UNDER OVERHEAD CUPBOARD.
- L2: 600 x 600 LED FLAT PANEL LIGHT.
- L3: ADJUSTABLE RECESSED DOWNLIGHT.
- L4: 300 x 1200 LED FLAT PANEL LIGHT.
- L5: 1200 LONG LED SURFACE BATTEN.
- L6: 1200 LONG LED BATTEN C/W INTEGRAL SENSOR.
- L7: 1200 LONG IP65 WALL MOUNTED HORIZONTALLY LED BATTEN.
- L8: 600 LONG LED SURFACE BATTEN.
- L9: DECORATIVE WALL MOUNTED MIRROR LIGHT.
- L10: RECESSED DALI DIMMABLE DOWNLIGHT.
- L11: RECESSED DALI DIMMABLE DOWNLIGHT.
- L12: RECESSED DALI DIMMABLE DOWNLIGHT.
- L13: DECORATIVE PENDANT.
- L14: RECESSED DALI DIMMABLE DOWNLIGHT.
- L15: RECESSED ADJUSTABLE DOWNLIGHT.
- L16: 600 LONG SURFACE BATTEN C/W INTEGRAL SENSOR.

NOTE

ALL ELECTRICAL PENETRATIONS THROUGH THE ROOF SHEETING ARE TO BE IN LINE WITH THE STRUCTURAL OR MECHANICAL SERVICES PENETRATIONS TO AVOID DEDICATED FLASHINGS FOR THE ELECTRICAL SERVICES.

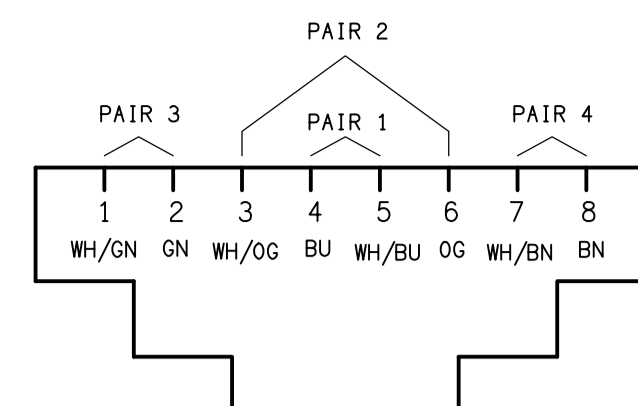
EXISTING ENERGEX PADMOUNT SUBSTATION TRANSFORMER



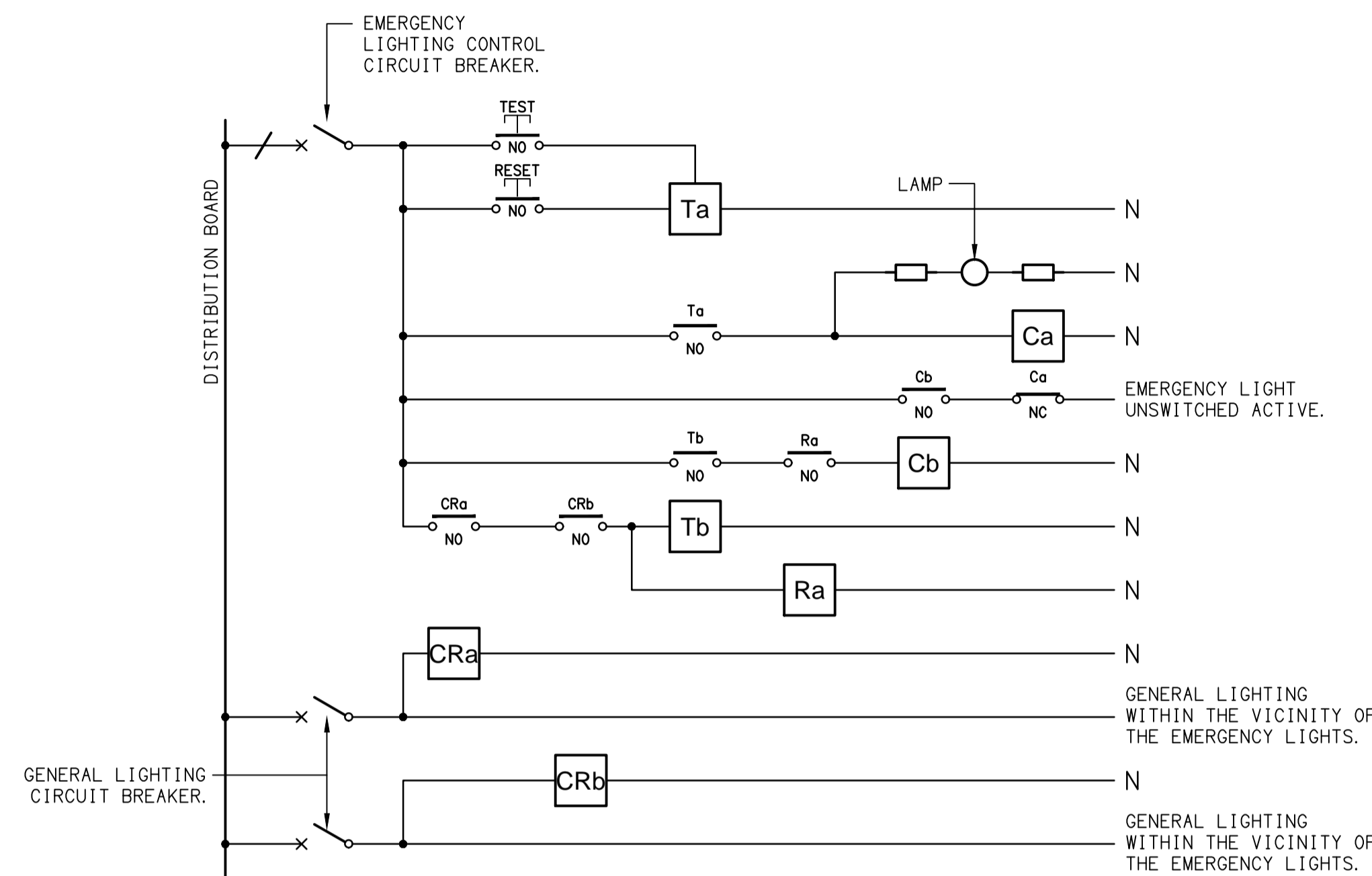
SCHEMATIC POWER CONFIGURATION
SCALE 1:100

EQUIPMENT:

- TEST - TEST PUSH BUTTON MOUNTED ON THE DISTRIBUTION BOARD ESCUTCHEON.
- RESET - RESET PUSH BUTTON MOUNTED ON THE DISTRIBUTION BOARD ESCUTCHEON.
- LAMP - AMBER TEST INDICATING LAMP MOUNTED ON THE DISTRIBUTION BOARD ESCUTCHEON.
- Ta - ADJUSTABLE 0-3 HOUR TIMED RELAY.
- Tb - 15 MINUTE RUN-ON TIMER TO OPERATE UPON THE RETURN OF MAINS POWER.
- Cx - CONTACTOR x.
- CRx - CONTROL RELAY x.
- Rx - RELAY x.



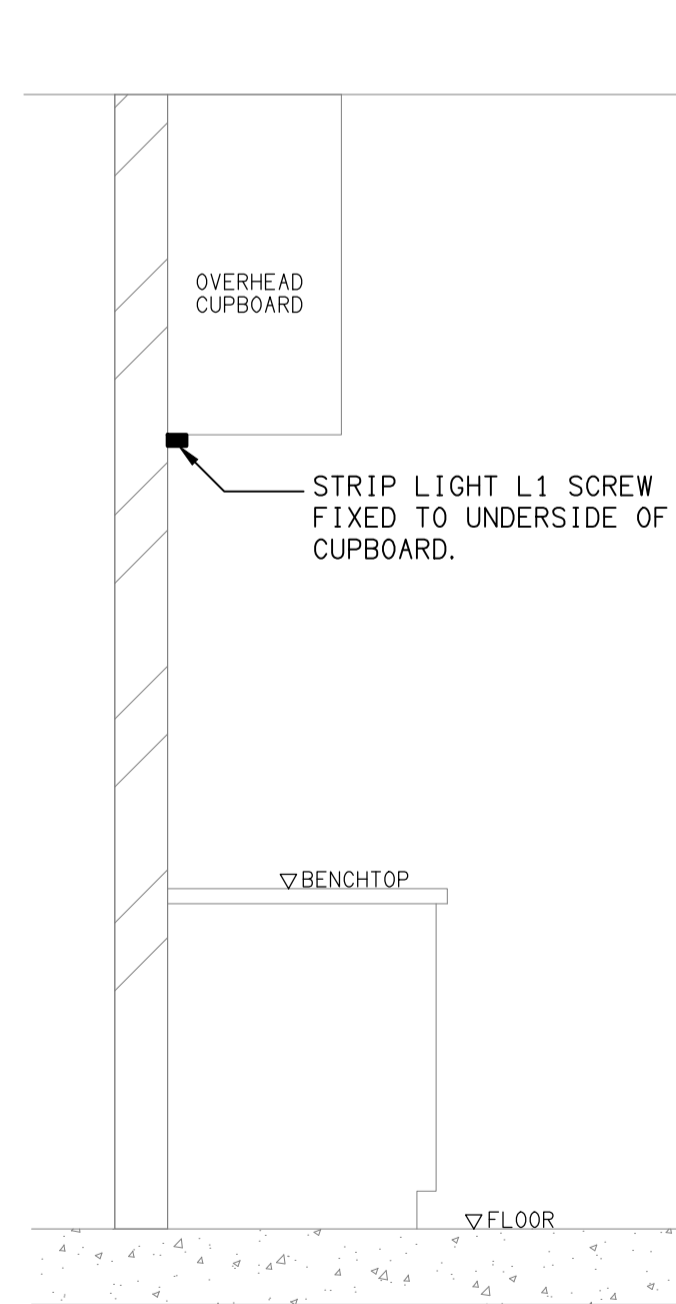
SCHEMATIC RJ45 PINOUT CONFIGURATION
NOT TO SCALE



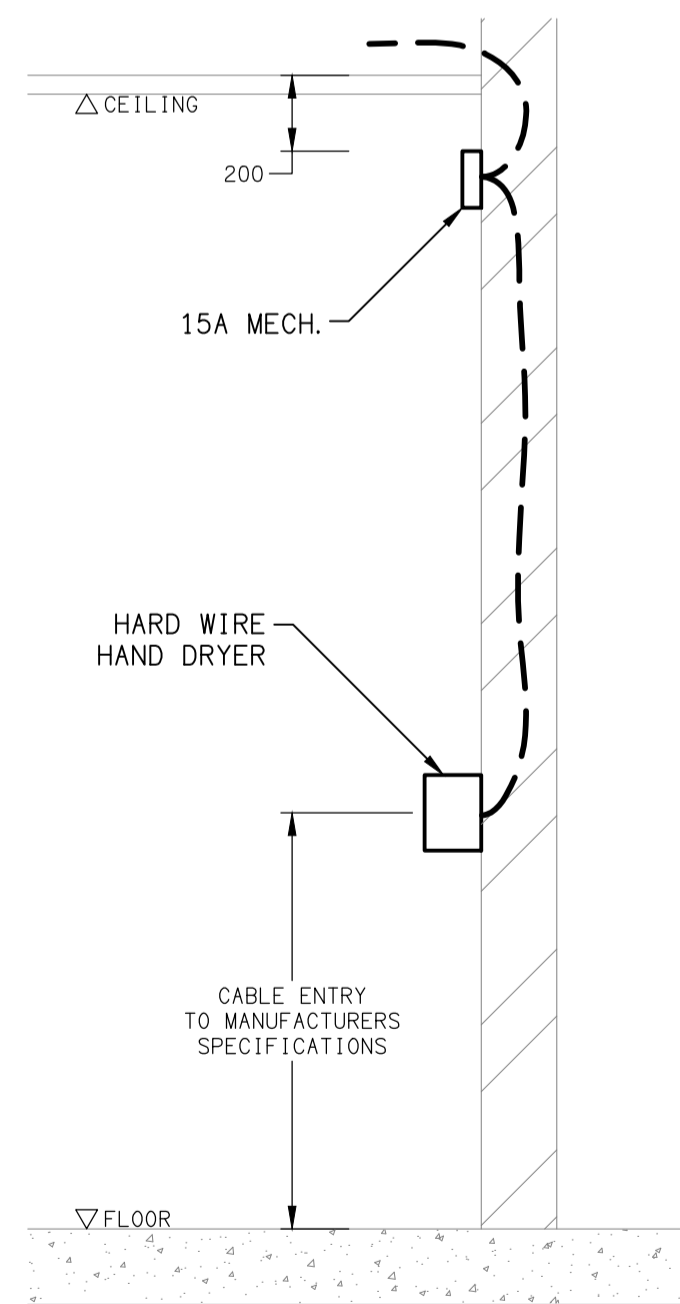
NOTES

1. THE EMERGENCY LIGHT UNSWITCHED ACTIVE / GENERAL LIGHTING SWITCHED ACTIVE CIRCUIT ARRANGEMENT AND CONTROL IS TYPICAL FOR ALL CIRCUITS SUPPLYING EMERGENCY LIGHTS.
2. PROVIDE ADDITIONAL CONTROL RELAYS (CRx) CONFIGURED AS PER CRa AND CRb FOR ALL ADDITIONAL LIGHTING CIRCUITS THAT SUPPLY LIGHTS IN THE VICINITY OF THE EMERGENCY LIGHTS.

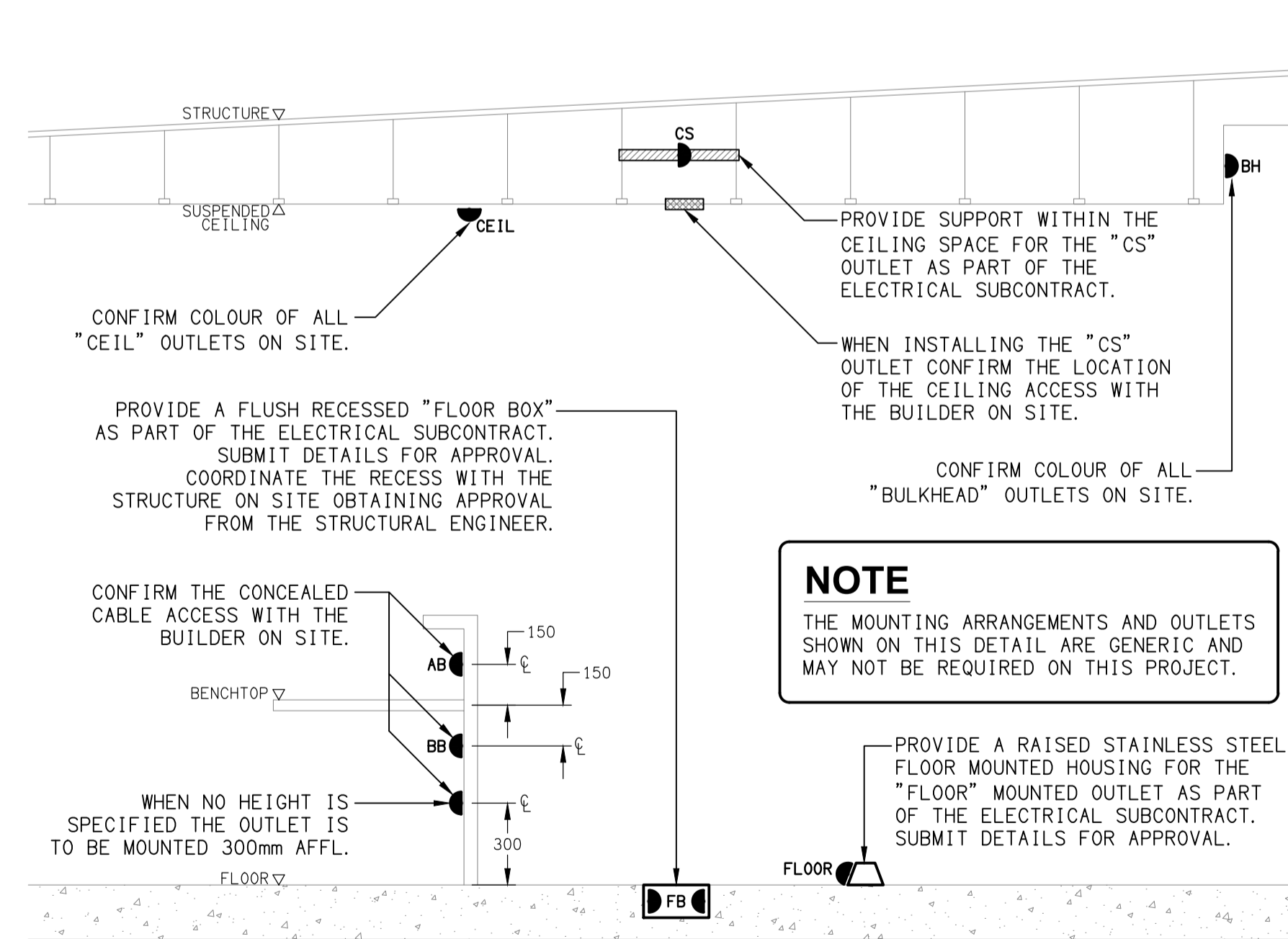
SCHEMATIC EMERGENCY LIGHTING
NOT TO SCALE



DETAIL "L1" TYPE STRIP LIGHT MOUNTING
NOT TO SCALE



DETAIL HAND DRYER CONNECTION
NOT TO SCALE



DETAIL TYPICAL OUTLET MOUNTINGS
NOT TO SCALE

NOTE

THE MOUNTING ARRANGEMENTS AND OUTLETS SHOWN ON THIS DETAIL ARE GENERIC AND MAY NOT BE REQUIRED ON THIS PROJECT.

PROVIDE A RAISED STAINLESS STEEL FLOOR MOUNTED HOUSING FOR THE "FLOOR" MOUNTED OUTLET AS PART OF THE ELECTRICAL SUBCONTRACT. SUBMIT DETAILS FOR APPROVAL.

ELECTRICAL DESIGN GROUP BRISBANE PTY LTD
ACN 092 710 793

THE COPYRIGHT OF THIS DRAWING REMAINS THE PROPERTY OF THE ELECTRICAL DESIGN GROUP.
USE FIGURED DIMENSIONS IN PREFERENCE TO SCALE.
ALL DIMENSIONS TO BE VERIFIED ONSITE.

ELECTRICAL DESIGN GROUP
ELECTRICAL BUILDING SERVICES CONSULTANTS
BRISBANE GOLD COAST

P.O. Box 15, Sherwood Q.4075
Phone: (07) 3278 4375
Email: brisbane@edg.net.au
Web: www.edg.net.au

PROJECT: CLUB KAWANA - STAGE 1

476 NICKLIN WAY, WURTULLA

B	TENDER	30/04/2024
REV:	DESCRIPTION:	DATE:

DRAWING: **ELECTRICAL SERVICES LEGEND, SCHEMATICS & DETAILS**

SCALE: NOT TO SCALE AT A1	PROJECT NO: C2957a	DRAWING NO: E01	REVISION: B
---------------------------	---------------------------	------------------------	--------------------